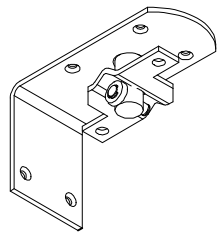


1



**UPPER HINGE & BEARING PLATE ASSEMBLY KIT**

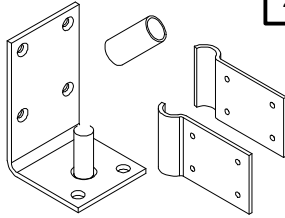
**ZINC KIT# : K0141**

Includes:  
Top Pin Assembly  
Bagged Fasteners

**SS KIT# : K0142**

Includes:  
Top Pin Assembly  
Bagged Fasteners  
Bearing Plate  
Axle  
Roller (2)  
Klipring

2



**LOWER HINGE ASSEMBLY KIT**

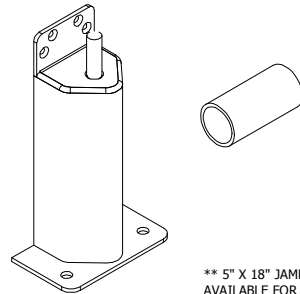
**ZINC KIT# : K0143**

Includes:  
Bottom Pin Assembly  
Bushing  
Bagged Fasteners  
Bottom Leaf (2)  
Screw (4)  
Lock Nut (4)

**SS KIT# : K0144**

Includes:  
Bottom Pin Assembly  
Bushing  
Bagged Fasteners  
Bottom Leaf (2)  
Screw (4)  
Lock Nut (4)

2



**3" X 9" JAMB GUARD W/ 5/8" PIN**

**ZINC KIT# : K0191**

Includes:  
Jamb Guard  
Anchor Bolts (2)  
Bagged Fasteners  
Bushing

**SS KIT # : K0193**

Includes:  
Jamb Guard  
Anchor Bolts (2)  
Bagged Fasteners  
Bushing

**5" X 18" JAMB GUARD W/ 5/8" PIN**

**ZINC KIT # : K0192**

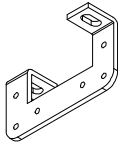
Includes:  
Jamb Guard  
Anchor Bolts (2)  
Bagged Fasteners  
Bushing

**SS KIT # : K0194**

Includes:  
Jamb Guard  
Anchor Bolts (2)  
Bagged Fasteners  
Bushing

**\*\* 5" X 18" JAMB GUARD NOT AVAILABLE FOR DSP3 \*\***

1



**TOP BRACKET KIT**

**ZINC KIT# : K0241**

Includes:  
Top Bracket  
Screw (4)  
Lock Nut (4)

**SS KIT# : K0242**

Includes:  
Top Bracket  
Screw (4)  
Lock Nut (4)

1

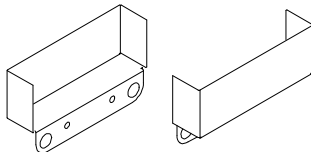


**HINGE ROLLER REPLACEMENT ASSEMBLY KIT**

**KIT# : K0136**

Includes:  
Axle  
Roller (2)  
Klipring

1



**REPLACEMENT HINGE COVER KIT**

**AL KIT# : K0137**

Includes:  
Cover (2)  
Screw (2)  
Lock Nut (2)

**SS KIT# : K0139**

Includes:  
Cover (2)  
Screw (2)  
Lock Nut (2)

**ALUMINUM SWINGING DOORS  
LWP & DSP SERIES  
REPLACEMENT PARTS KITS  
ZINC & STAINLESS STEEL**



<b>SCALE:</b> N/A	<b>MATERIAL:</b> N/A			<b>ITEM NUMBER:</b>  N/A
<b>REV #:</b> 3 RDC	<b>DWG BY:</b> RTM	<b>DATE:</b> 2/3/20	<b>ECN:</b> N/A	